

NOV 27 2019

Federal Communications Commission  
Washington, D. C. 20554

Approved by OMB  
3060-0627  
Expires 01/31/98

FOR  
FCC  
USE  
ONLY

Federal Communications Commission  
Office of the Secretary

**FCC 302-AM**  
**APPLICATION FOR AM**  
**BROADCAST STATION LICENSE**

(Please read instructions before filling out form.)

FOR COMMISSION USE ONLY

FILE NO. *BL-20191127 AAX*

**SECTION I - APPLICANT FEE INFORMATION**

1. PAYOR NAME (Last, First, Middle Initial)

BROADCAST EDUCATIONAL COMMUNICATIONS, INC (FRN: 0024524449)

MAILING ADDRESS (Line 1) (Maximum 35 characters)  
PO BOX 990

MAILING ADDRESS (Line 2) (Maximum 35 characters)

CITY  
GREENSBURG

STATE OR COUNTRY (if foreign address)  
PA

ZIP CODE  
15601

TELEPHONE NUMBER (include area code)  
724-853-7000

CALL LETTERS  
KQV

OTHER FCC IDENTIFIER (if applicable)  
#8455

2. A. Is a fee submitted with this application?

Yes  No

B. If No, indicate reason for fee exemption (see 47 C.F.R. Section

Governmental Entity  Noncommercial educational licensee  Other (Please explain):

C. If Yes, provide the following information:

Enter in Column (A) the correct Fee Type Code for the service you are applying for. Fee Type Codes may be found in the "Mass Media Services Fee Filing Guide." Column (B) lists the Fee Multiple applicable for this application. Enter fee amount due in Column (C).

(A)		
FEE TYPE CODE		

(B)			
FEE MULTIPLE			
0	0	0	1

(C)
FEE DUE FOR FEE TYPE CODE IN COLUMN (A)
\$

FOR FCC USE ONLY

To be used only when you are requesting concurrent actions which result in a requirement to list more than one Fee Type Code.

(A)		

(B)			
FEE MULTIPLE			
0	0	0	1

(C)
FEE DUE FOR FEE TYPE CODE IN COLUMN (A)
\$

FOR FCC USE ONLY

ADD ALL AMOUNTS SHOWN IN COLUMN C, AND ENTER THE TOTAL HERE. THIS AMOUNT SHOULD EQUAL YOUR ENCLOSED REMITTANCE.

TOTAL AMOUNT REMITTED WITH THIS APPLICATION
\$

FOR FCC USE ONLY

<b>SECTION II - APPLICANT INFORMATION</b>		
1. NAME OF APPLICANT BROADCAST EDUCATIONAL COMMUNICATIONS, INC.		
MAILING ADDRESS PO BOX 990		
CITY GREENSBURG	STATE PA	ZIP CODE 15601

2. This application is for:

- Commercial
  Noncommercial  
 AM Directional
  AM Non-Directional

Call letters KQV	Community of License PITTSBURGH	Construction Permit File No. BP-20180205AAY	Modification of Construction Permit File No(s).	Expiration Date of Last Construction Permit 6/8/2021
---------------------	------------------------------------	--	---	---

3. Is the station now operating pursuant to automatic program test authority in accordance with 47 C.F.R. Section 73.1620?

Yes  No

If No, explain in an Exhibit.

Exhibit No.

4. Have all the terms, conditions, and obligations set forth in the above described construction permit been fully met?

Yes  No

If No, state exceptions in an Exhibit.

Exhibit No.

5. Apart from the changes already reported, has any cause or circumstance arisen since the grant of the underlying construction permit which would result in any statement or representation contained in the construction permit application to be now incorrect?

Yes  No

If Yes, explain in an Exhibit.

Exhibit No.

6. Has the permittee filed its Ownership Report (FCC Form 323) or ownership certification in accordance with 47 C.F.R. Section 73.3615(b)?

Yes  No

If No, explain in an Exhibit.

Does not apply

Exhibit No.

7. Has an adverse finding been made or an adverse final action been taken by any court or administrative body with respect to the applicant or parties to the application in a civil or criminal proceeding, brought under the provisions of any law relating to the following: any felony; mass media related antitrust or unfair competition; fraudulent statements to another governmental unit; or discrimination?

Yes  No

If the answer is Yes, attach as an Exhibit a full disclosure of the persons and matters involved, including an identification of the court or administrative body and the proceeding (by dates and file numbers), and the disposition of the litigation. Where the requisite information has been earlier disclosed in connection with another application or as required by 47 U.S.C. Section 1.65(c), the applicant need only provide: (i) an identification of that previous submission by reference to the file number in the case of an application, the call letters of the station regarding which the application or Section 1.65 information was filed, and the date of filing; and (ii) the disposition of the previously reported matter.

Exhibit No.

8. Does the applicant, or any party to the application, have a petition on file to migrate to the expanded band (1605-1705 kHz) or a permit or license either in the existing band or expanded band that is held in combination (pursuant to the 5 year holding period allowed) with the AM facility proposed to be modified herein?

Yes  No

If Yes, provide particulars as an Exhibit.

Exhibit No.  
-

The APPLICANT hereby waives any claim to the use of any particular frequency or of the electromagnetic spectrum as against the regulatory power of the United States because use of the same, whether by license or otherwise, and requests and authorization in accordance with this application. (See Section 304 of the Communications Act of 1934, as amended).

The APPLICANT acknowledges that all the statements made in this application and attached exhibits are considered material representations and that all the exhibits are a material part hereof and are incorporated herein as set out in full in the application.

**CERTIFICATION**

1. By checking Yes, the applicant certifies, that, in the case of an individual applicant, he or she is not subject to a denial of federal benefits that includes FCC benefits pursuant to Section 5301 of the Anti-Drug Abuse Act of 1988, 21 U.S.C. Section 862, or, in the case of a non-individual applicant (e.g., corporation, partnership or other unincorporated association), no party to the application is subject to a denial of federal benefits that includes FCC benefits pursuant to that section. For the definition of a "party" for these purposes, see 47 C.F.R. Section 1.2002(b).

Yes  No

2. I certify that the statements in this application are true, complete, and correct to the best of my knowledge and belief, and are made in good faith.

Name <b>ROBERT M. STEVENS</b>	Signature <i>Robert M. Stevens</i>	
Title <b>PRESIDENT</b>	Date <b>11-25-19</b>	Telephone Number <b>(724) 853-7000</b>

WILLFUL FALSE STATEMENTS ON THIS FORM ARE PUNISHABLE BY FINE AND/OR IMPRISONMENT (U.S. CODE, TITLE 18, SECTION 1001), AND/OR REVOCATION OF ANY STATION LICENSE OR CONSTRUCTION (U.S. CODE, TITLE 47, SECTION 312(a)(1)), AND/OR FORFEITURE (U.S. CODE, TITLE 47, SECTION 503)

**FCC NOTICE TO INDIVIDUALS REQUIRED BY THE PRIVACY ACT AND THE PAPERWORK REDUCTION ACT**

The solicitation of personal information requested in this application is authorized by the Communications Act of 1934, as amended. The Commission will use the information provided in this form to determine whether grant of the application is in the public interest. In reaching that determination, or for law enforcement purposes, it may become necessary to refer personal information contained in this form to another government agency. In addition, all information provided in this form will be available for public inspection. If information requested on the form is not provided, the application may be returned without action having been taken upon it or its processing may be delayed while a request is made to provide the missing information. Your response is required to obtain the requested authorization.

Public reporting burden for this collection of information is estimated to average 639 hours and 53 minutes per response, including the time for reviewing instructions, searching existing data sources, gathering and maintaining the data needed, and completing and reviewing the collection of information. Comments regarding this burden estimate or any other aspect of this collection of information, including suggestions for reducing the burden, can be sent to the Federal Communications Commission, Records Management Branch, Paperwork Reduction Project (3060-0627), Washington, D. C. 20554. Do NOT send completed forms to this address.

THE FOREGOING NOTICE IS REQUIRED BY THE PRIVACY ACT OF 1974, P.L. 93-579, DECEMBER 31, 1974, 5 U.S.C. 552a(e)(3), AND THE PAPERWORK REDUCTION ACT OF 1980, P.L. 96-511, DECEMBER 11, 1980, 44 U.S.C. 3507.

SECTION III - - LICENSE APPLICATION ENGINEERING DATA

Name of Applicant	<b>BROADCAST EDUCATIONAL COMMUNICATIONS, INC.</b>
-------------------	---

PURPOSE OF AUTHORIZATION APPLIED FOR: (check one)

- Station License
  Direct Measurement of Power

<b>1. Facilities authorized in construction permit</b>					
Call Sign <b>KQV</b>	File No. of Construction Permit (if applicable) <b>BP-20180205AAY</b>	Frequency (kHz) <b>1410</b>	Hours of Operation <b>UNLIMITED</b>	Power in kilowatts	
				Night <b>0.075</b>	Day <b>5.0</b>
<b>2. Station location</b>					
State <b>PA</b>			City or Town <b>PITTSBURGH, PA</b>		
<b>3. Transmitter location</b>					
State <b>PA</b>	County <b>ALLEGHENY</b>		City or Town <b>NORTH VERSAILLES</b>	Street address (or other identification) <b>NEAR 299 MAHAFFY ROAD</b>	
<b>4. Main studio location</b>					
State	County <b>NO LONGER REQUIRED</b>		City or Town	Street address (or other identification)	
<b>5. Remote control point location (specify only if authorized directional antenna)</b>					
State <b>--</b>	County <b>--</b>		City or Town <b>--</b>	Street address (or other identification) <b>--</b>	

6. Has type-approved stereo generating equipment been installed?  Yes  No
7. Does the sampling system meet the requirements of 47 C.F.R. Section 73.68?  Yes  No

**NON DIRECTIONAL ANTENNA SYSTEM - NOT APPLICABLE**

- Not Applicable

Attach as an Exhibit a detailed description of the sampling system as installed.

Exhibit No.
-------------

<b>8. Operating constants:</b>						
RF common point or antenna current (in amperes) without modulation for night system <b>0.75</b>			RF common point or antenna current (in amperes) without modulation for day system <b>6.15</b>			
Measured antenna or common point resistance (in ohms) at operating frequency Night <b>132.0</b> Day <b>132.0</b>			Measured antenna or common point reactance (in ohms) at operating frequency Night <b>+j 159</b> Day <b>+j 159</b>			
<b>Antenna indications for directional operation</b>						
Towers	Antenna monitor Phase reading(s) in degrees		Antenna monitor sample current ratio(s)		Antenna base currents	
	Night	Day	Night	Day	Night	Day
Manufacturer and type of antenna monitor: <b>NOT APPLICABLE - NONDIRECTIONAL</b>						

9. Description of antenna system ((f directional antenna is used, the information requested below should be given for each element of the array. Use separate sheets if necessary.)

Type Radiator <b>UNIFORM CROSS-SECTION, GUYED, STEEL TOWER</b>	Overall height in meters of radiator above base insulator, or above base, if grounded.  <b>92.6</b>	Overall height in meters above ground (without obstruction lighting)  <b>92.6</b>	Overall height in meters above ground (include obstruction lighting)  <b>94.5</b>	If antenna is either top loaded or sectionalized, describe fully in an Exhibit. <table border="1" style="margin-left: auto; margin-right: auto;"><tr><td>Exhibit No. --</td></tr></table>	Exhibit No. --
Exhibit No. --					

Excitation  Series  Shunt **FOLDED UNIPOLE ANTENNA**

Geographic coordinates to nearest second. For directional antenna give coordinates of center of array. For single vertical radiator give tower location.

North Latitude	<b>40 ° 21 ' 51 "</b>	West Longitude	<b>79 ° 48 ' 46 "</b>
----------------	-----------------------	----------------	-----------------------

If not fully described above, attach as an Exhibit further details and dimensions including any other antenna mounted on tower and associated isolation circuits.

Exhibit No. <b>FIG 3 FROM CP APP ATTACHED</b>
--

Also, if necessary for a complete description, attach as an Exhibit a sketch of the details and dimensions Of ground system.

Exhibit No. --
-------------------

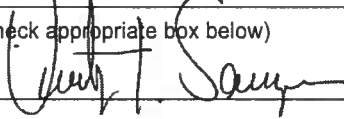
10. In what respect, if any, does the apparatus constructed differ from that described in the application for construction permit or in the permit?

**NO CHANGES ARE REPORTED.**

11. Give reasons for the change in antenna or common point resistance.

**NEW DIPLEX ANTENNA SYSTEM WITH WEDO(AM)**

I certify that I represent the applicant in the capacity indicated below and that I have examined the foregoing statement of technical information and that it is true to the best of my knowledge and belief.

Name (Please Print or Type) <b>TIMOTHY Z. SAWYER</b>	Signature (check appropriate box below) 
<b>T Z SAWYER TECHNICAL CONSULTANTS 2130 HUTCHISON GROVE COURT, SUITE 100 FALLS CHURCH, VA 22043</b>	Date <b>11/25/2019</b>
	Telephone No. (Include Area Code) <b>(703) 848-2130</b>

- |  |   |
|--|---|
| <input type="checkbox"/> Technical Director                                    | <input type="checkbox"/> Registered Professional Engineer |
| <input type="checkbox"/> Chief Operator  | <input type="checkbox"/> Technical Consultant             |
| <input checked="" type="checkbox"/> Other (specify) <b>CONSULTING ENGINEER</b> |   |

**T Z SAWYER TECHNICAL CONSULTANTS**

2130 HUTCHISON GROVE COURT, SUITE 100  
FALLS CHURCH, VA 22043 USA  
Tel: (703) 848-2130 / (202) 642-2130

KQV(AM), 1410 KHZ  
PITTSBURGH, PENNSYLVANIA  
FCC FACILITY ID: 8445

BROADCAST EDUCATIONAL COMMUNICATIONS, INC.  
BP20180205AAY

LICENSE TO COVER - ENGINEERING STATEMENT

All specifications and conditions set forth in the KQV(AM) Construction Permit have been fully met.

Special Operating Conditions:

Broadcast Educational Communications, Inc. accepts all special operating conditions as listed on the construction permit, and affirms the following:

Condition #1, the permittee has installed a type accepted transmitter.

Condition #2, the permittee has filed this application for station license prior to the expiration date of the construction permit.

Condition #3, the permittee will comply with condition #3 regarding blanketing interference should it occur as required by Section 73.88 of the Commission's rules.

Condition #4, the permittee has installed adequate filters, traps and other equipment to prevent interaction, intermodulation and or the generation of spurious emissions and has attached the data herein as required. Additionally a statement concerning the maintenance of such equipment (responsible party) is included within this engineering statement. WEDO has or will cause to be file concurrently with this application a direct measurement of power application concerning its operation.

Condition #5, the permittee is in agreement concerning the details of the installed antenna ground system.

Condition #6, the permittee has installed a series fed symmetrical folded unipole feed, utilizing a minimum of three folds (slant wire feed is not employed) as required by condition #6.

In order to demonstrate full compliance with condition #4, the following narrative is provided:

Description of diplexer and installation:

The diplexer was built by Kintronic Labs. The diplexer was carefully designed to properly isolate the two stations. The diplexer "traps" use series pass/reject main filters and shunt pass/reject secondary "filters."

The antenna impedance and current are measured at the output of the ATU sections rather (at J12 and J22) to prevent interference between the two stations when measuring the antenna current or impedance. A schematic of the diplexing equipment is attached as Figure 1.

Intermodulation Product Measurements/Observations:

After the installation was completed and with both stations operating at their respective power levels, field measurements or observations were made on all second and third order intermodulation products as listed in the table below. All frequencies of concern were found to be below the FCC limits for such emissions or undetectable.

Table of Spot Frequencies of Concern for  
Direct Observation on Potomac FIM-41 Field Meter

KHZ	KHZ	RESULTANT FREQUENCY OF CONCERN (KHZ)
3 X 810	- 1 X 1410	1020
2 X 1410	- 2 X 810	1200
3 X 1410	- 3 X 810	1800
2 X 1410	- 1 X 810	2010
1 X 810	+ 1 X 1410	2220
3 X 1410	- 2 X 810	2610
1 X 1410	+ 2 X 810	3030
3 X 1410	- 1 X 810	3420
1 X 810	+ 2 X 1410	3630
1 X 1410	+ 3 X 810	3840
2 X 810	+ 2 X 1410	4440

No intermodulation products were observed at each frequency listed above as well as during a careful sweep of the entire relevant spectrum (to 5 MHz) as observed at a distance of approximately 2-kilometers from the site.

Direct Measurement of Power Operating Impedance Values:

KQV Impedance at 1410 kHz

132.0 ohms with a corrected reactance of +j 159 ohms

WEDO Impedance at 810 kHz

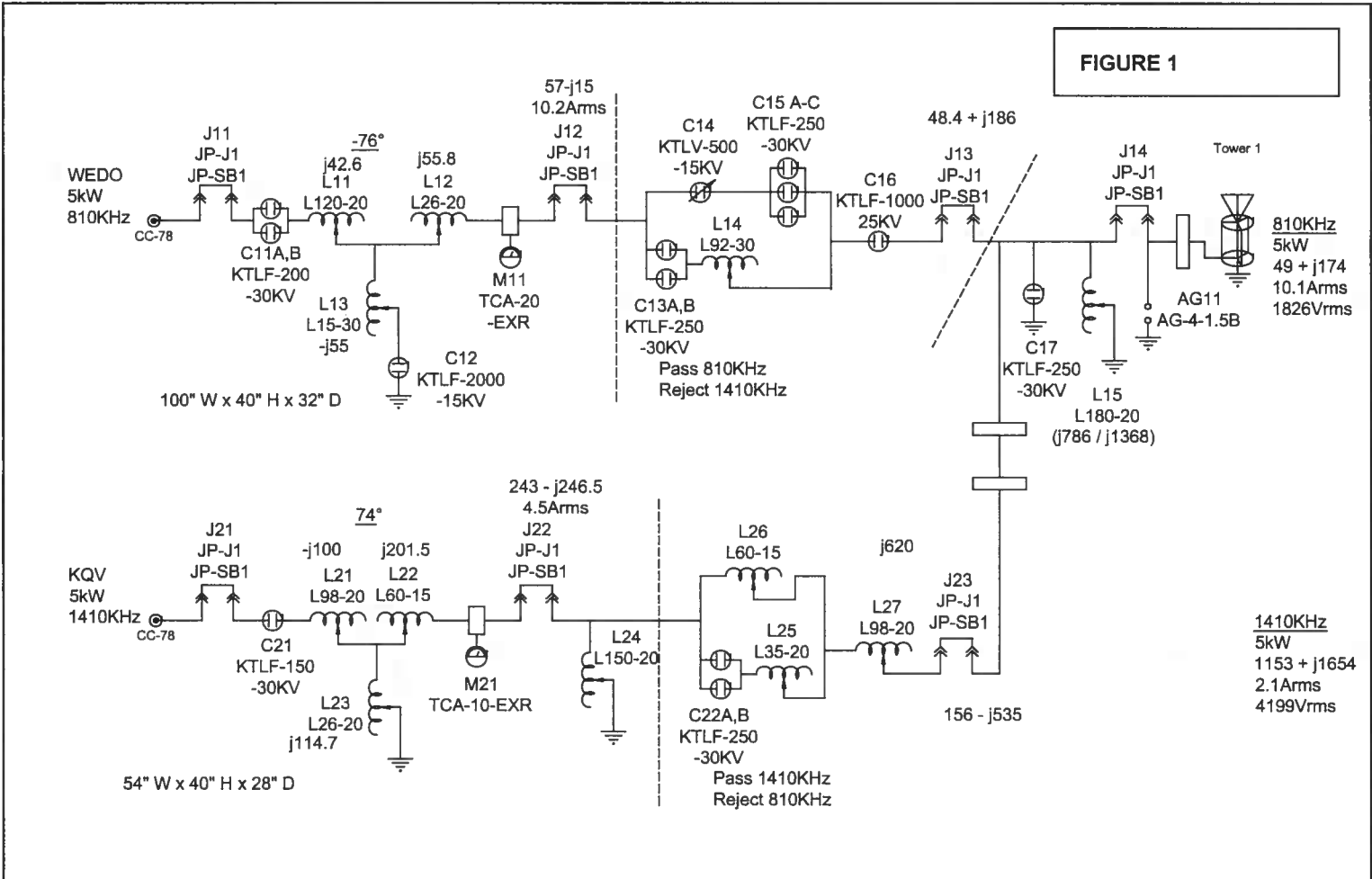
58.0 ohms with a corrected reactance of +j 32 ohms


Impedance measurement were made using a Delta OIB-3 RF bridge, serial number 306. A Potomac Instruments Signal Generator SD-31, serial number 139 and a Potomac Instruments FIM-41 field meter. Each device was checked and found to be operating within its equipment specifications prior to use.





**FIGURE 1**



	<b>KINTRONIC LABORATORIES INC.</b> BLUFF CITY, TN.		FREQ: 810kHz 1410kHz		<b>WEDO / KQV DIPLEXER</b> PITTSBURG, PA
	COPYRIGHT 2019 KINTRONIC LABORATORIES INC.		POWER: 5kW		
REV. 03	REV. DESCRIPTION: Pretune Completed	REV. DATE: May-7-19	JOB NO: 116271	DESIGNED: JMoser	THE CONTENTS OF THIS DRAWING ARE THE INTELLECTUAL PROPERTY OF KINTRONIC LABS, INC. AND ARE NOT TO BE DISTRIBUTED TO ANY THIRD PARTY WITHOUT THE WRITTEN CONSENT OF KINTRONIC LABS, INC.
DWG NO: 12203-RFS-01	REF DWG.	DATE: JAN-7-19	DRAWN: GKing	APPROVED: BC	

Joint Statement of Antenna Diplexer Equipment Responsibilities  
between KQV (AM) and WEDO (AM)

For the purposes of FCC licensing of KQV (AM) at the WEDO (AM) transmitter site, WEDO (AM) is the responsible party for the ownership, installation, maintenance, and proper operation of the antenna diplexing equipment until such time that the joint use of the equipment is terminated.

For KQV (AM)  
Broadcast Educational Communications, Inc.

For WEDO (AM)  
Broadcast Communications, Inc.



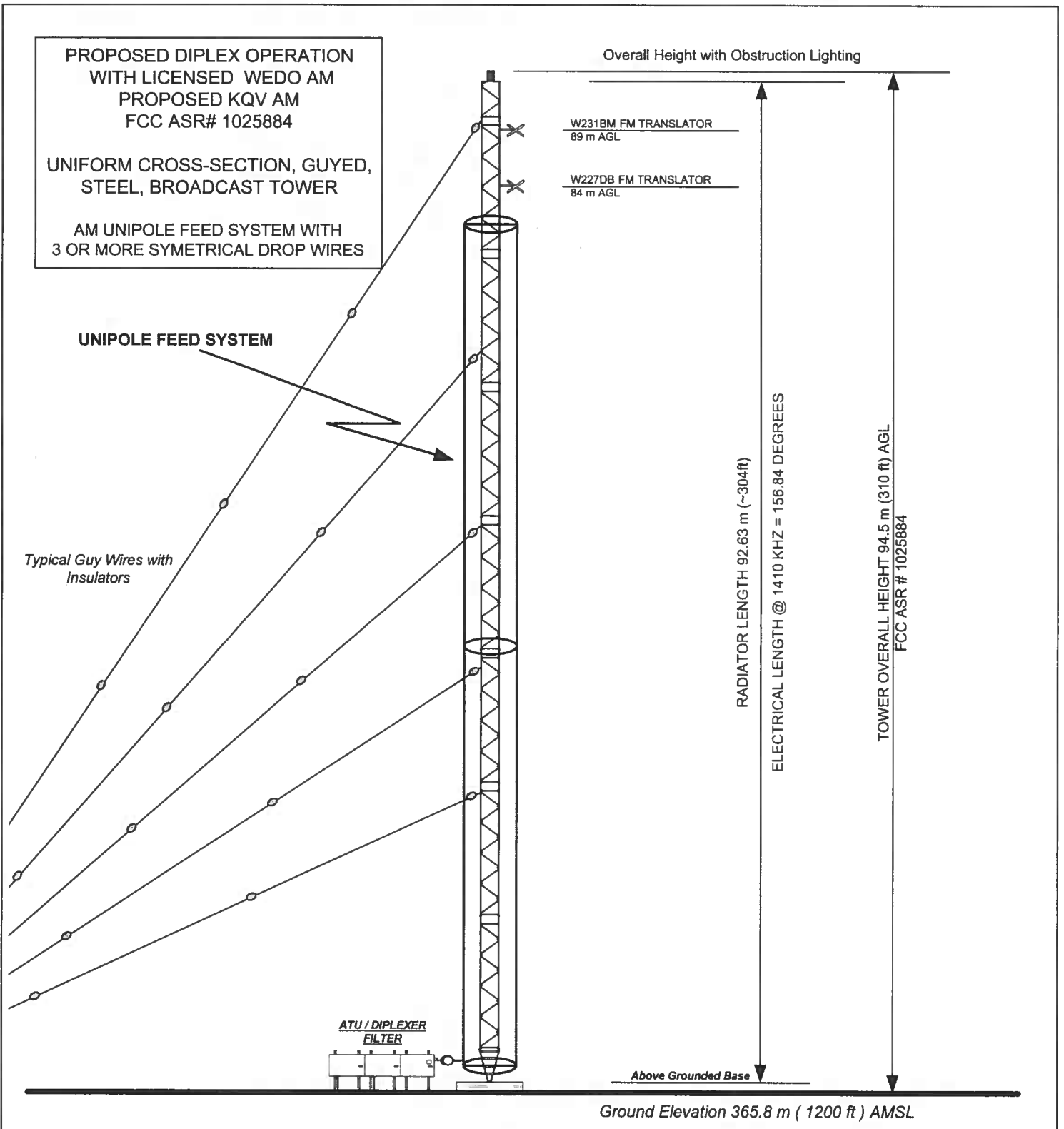
ROBERT M. STEVENS, President


Dated: November 26, 2019



ROBERT M. STEVENS, President

Dated: November 26, 2019



 <p>Mullaney Engineering, Inc.</p>	<b>VERTICAL SKETCH OF EXISTING STRUCTURE PROPOSED DIPLEX ARRANGEMENT WITH WEDO(AM)</b>			
	<b>KQV (AM) PITTSBURGH, PA</b>			<b>FIGURE 3</b>
<b>MONROVIA, MARYLAND</b>	SIZE A	FSCM NO N/A	DWG NO 20180115KQV-F3	REV NONE
<b>(c) 2018, ALL RIGHTS RESERVED</b>	SCALE 1" = 40' (VERTICAL ONLY)	JANUARY 2018		SHEET

# Shainis & Peltzman, Chartered

Counselors at Law

Aaron H. Shainis  
aaron@s-plaw.com

Lee J. Peltzman  
lee@s-plaw.com

Suite 240  
1850 M Street, N.W.  
Washington, D.C. 20036

(202) 293-0011  
Fax (202) 293-0810  
e-mail: shainispeltzman@s-plaw.com

Accepted / Filed

NOV 27 2019

Federal Communications Commission  
Office of the Secretary

November 26, 2019

**VIA HAND DELIVERY**

Honorable Marlene H. Dortch  
Office of the Secretary  
Federal Communications Commission  
445 12<sup>th</sup> Street, SW  
Washington, DC 20554  
Attn: Audio Division, Media Bureau

**Re: Broadcast Educational Communications, Inc.  
FRN: 0024524449  
KQV(AM), Pittsburgh, PA  
Facility ID No.: 8445  
FCC Form 302-AM Application to Cover  
Construction Permit BP-20180205AAY**

Dear Madame Secretary:

On behalf of Broadcast Educational Communications, Inc., transmitted herewith in triplicate is an application on FCC Form 302-AM to cover construction permit for AM Broadcast Station KQV, Pittsburgh, Pennsylvania. We request that the FCC issue program test authority to KQV, so that the station may resume broadcast operations as soon as possible.

As the licensee is a non-profit corporation which operates KQV noncommercially, pursuant to Section 73.503 of the Commission's Rules, this application is non-feeable under Section 1.1116(c) of the Commission's Rules.

Should additional information be desired in connection with the above matter, kindly communicate with undersigned counsel.

Sincerely yours,

  
Lee J. Peltzman

Counsel for

Broadcast Educational Communications, Inc.

ORIGINAL