

# BOOTH, FRERET & IMLAY, LLC

ATTORNEYS AT LAW

ROBERT M. BOOTH, JR. (1911-1981)  
JULIAN P. FRERET (1918-1999)  
CHRISTOPHER D. IMLAY

14356 CAPE MAY ROAD  
SILVER SPRING, MD 20904-6011  
WWW.IMLAYLAW.COM

TELEPHONE: (301) 384-5525  
FACSIMILE: (301) 384-6384  
CHRIS@IMLAYLAW.COM

2016 DEC - 8 A 10: 35

ADDITIONAL INFORMATION

December 1, 2016

Received & Inspected

DEC 08 2016

Via U.S. Mail only

FCC Mail Room

Marlene H. Dortch, Secretary  
Federal Communications Commission  
Office of the Secretary  
445-12<sup>th</sup> Street, S.W.  
Washington, D.C. 20554

Attention: Audio Division, Media Bureau

**Re: Amendment to Pending Application for License to Cover  
Construction Permit and Request to Extend Program Test  
Authority; File No. BMML-20160621ANY; AM Broadcast  
Station WMGG, Egypt Lake, Florida; Facility ID No. 67135;  
Genesis Communications of Tampa Bay, Inc., Licensee.**

Greetings.

Attached on behalf of our client, Genesis Communications of Tampa Bay, Inc., the licensee of AM Broadcast Station WMGG, Egypt Lake, Florida, please find an original and two copies of supplemental data in the nature of an amendment to the above-referenced pending FCC Form 302-AM application for license to cover construction permit BP-20120808ABK. This additional information was called for by the Commission in correspondence dated September 16, 2016 (Mail Stop 1800B2-EAL) over the signature of the Audio Division's Supervisory Engineer.

The construction permit permitted the duplexing of WMGG on the existing antenna system of WTMP (AM), also licensed to Egypt Lake, Florida.

The September 16 letter granted program test authority for WMGG to operate at the diplex site in accordance with Section 73.1620 of the Commission's rules and the terms of the construction permit, through December 16, 2016.

The letter, however, called for the following additional information:

- (1) a schematic showing the filters on each tower;
- (2) the agreement between WMGG and WTMP fixing responsibility for the maintenance of the filter circuits, as required by condition #2 of the Construction Permit;
- (3) the nighttime spurious emission measurements between WMGG and WTMP as required by condition #2 of the Construction Permit;

- (4) WTMP was obligated to submit an application for direct measurement on FCC Form 302 as required by condition #2 of the Construction Permit; and
- (5) the current distribution measurement data used to plot Figure 18 of the license application to satisfy condition #3 of the construction permit.

In response to these requests, the following is submitted:

- (1) Attached is the schematic diagram showing the tower filters, prepared by Phasetek, Inc.
- (2) The tower lease agreement between Genesis Communications of Tampa Bay, Inc. and Tama Radio Licenses of Tampa, Florida dated August 30, 2016 includes the following provisions with respect to maintenance of the filter circuits:

**8. Maintenance and Repairs.**

- (a) Lessee shall, at its sole cost and expense and subject to the requirements of this Lease, maintain and repair the Equipment in good condition, and in compliance with good engineering practice and with all FCC licenses, rules and regulations, and all other applicable laws, ordinances and regulations. Lessee shall take all reasonable precautions to avoid interference with or hindrance to the operations of Lessor or any other Lessee of the Towers in accordance with this Lease. Lessor shall not be responsible for the maintenance or repair of the Equipment unless the need for same is attributable to Lessor's acts or omissions.

\*\*\*\*\*

**9. Interference, modifications, improvements.**

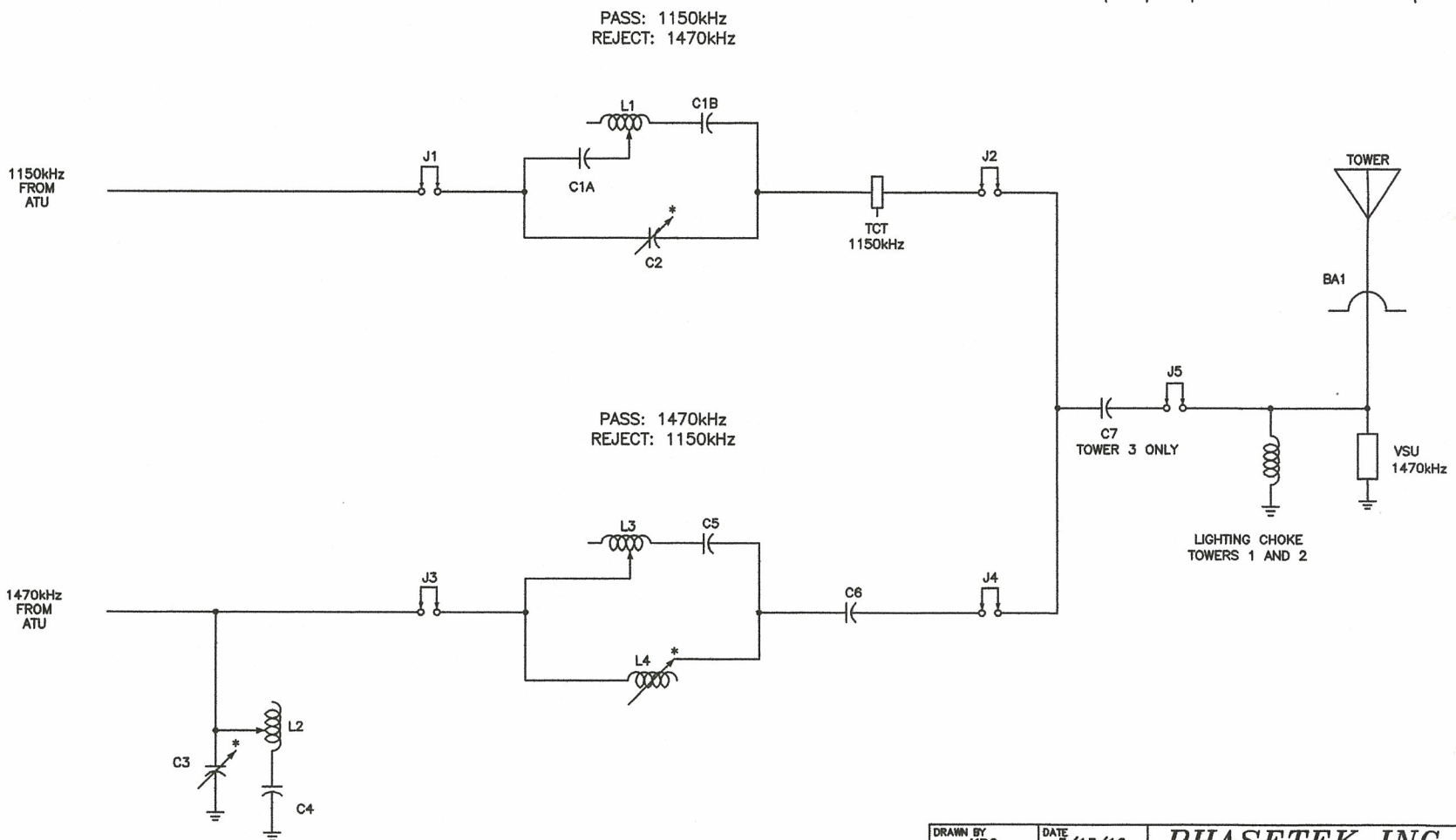
- (a) All transmitters must be equipped with transmitter isolator devices as necessary to filter out interference in accordance with broadcasting industry standards, as reasonably determined by Lessor. Nevertheless, it shall be Lessee's responsibility to operate Lessee's Equipment in a manner that will not cause interference to Lessor or any of the other users of the Towers.

There are no other provisions in the lease pertaining to this obligation. Based on the foregoing provisions, Genesis Communications of Tampa Bay, Inc. assumes the obligation to maintain the filter circuits. Should the Commission wish to review the entire lease, it will be provided upon request.

- (3) The nighttime spurious emission measurements between WMGG and WTMP, also prepared by Phasetek, Inc. are attached.

- (4) WTMP (AM) will shortly be filing an application for direct measurement on FCC Form 302. That has not been completed to date because, as Genesis Communications has been informed by the licensee of WTMP (AM), there is in progress the leasing and

REV.	DATE	DESCRIPTION	APPROVAL



NOTES:  
1. \* DENOTES KNOB ASSEMBLY.

PASS: 1150kHz  
TOWER 3 ONLY

DRAWN BY <i>KRG</i>	DATE 3/13/16	<b>PHASETEK INC.</b>	
CHK'D		550 CALIFORNIA RD. QUAKERTOWN, PA. 18951	
ENGINEER		<b>TOWER FILTERS</b>	
APP'D		TITLE <b>WTMP/WMGG</b>	
MATERIAL		SCALE <i>NONE</i>	SIZE <b>B</b>
		SHEET 1 OF 1	DRWG. NO. <b>P2001206</b>

**WMGG SPURIOUS RADIATION MEASUREMENTS**  
**JUNE, 2016**  
**WTMP (1150 KHZ), 0.5 KW NIGHT MODE**  
**WMGG (1470 KHZ), 0.8 KW NIGHT MODE**

<u>Frequency (kHz)</u>	<u>Field Intensity (mV/M)</u>	<u>Attenuation (dB) relative to</u>	
		<u>WTMP</u>	<u>WMGG</u>
1150	98	--	--
1470	92	--	--
510	<.01	>79.8	>79.3
640	.013	77.5	77.0
830	.020	73.8	73.3
1790	.012	78.2	77.7
1980	<.01	>79.8	>79.3
2110	<.01	>79.8	>79.3
2620	.011	79.0	78.4
3770	<.01	>79.8	>79.3
4090	<.01	>79.8	>79.3
4920	<.01	>79.8	>79.3

Above taken with Potomac Instruments, FIM-41, 1.01 KM from the Antenna on a bearing of 302°T.

Above readings meet required attenuation of 72.0dB (WMGG Night) and 70.0dB (WTMP Night).

**PHASETEK INC.**  
**WMGG, 1470 KHZ, DA-2**

Measured tower relative current distribution as compared to the sinusoidal current in a thin wire with the theoretical electrical length.

HEIGHT(FT.)	TOWER 3	MEASURED CURRENT(*)
0	.55	1.14
20	.61	1.27
40	.71	1.48
60	.84	1.75
80	.93	1.93
100	.99	2.06
120	.99	2.06
140	.98	2.04
160	.91	1.89
180	.84	1.75
200	.72	1.50
220	.55	1.14

(\*) Measured maximum of 2.08 @ 118.5 ft.